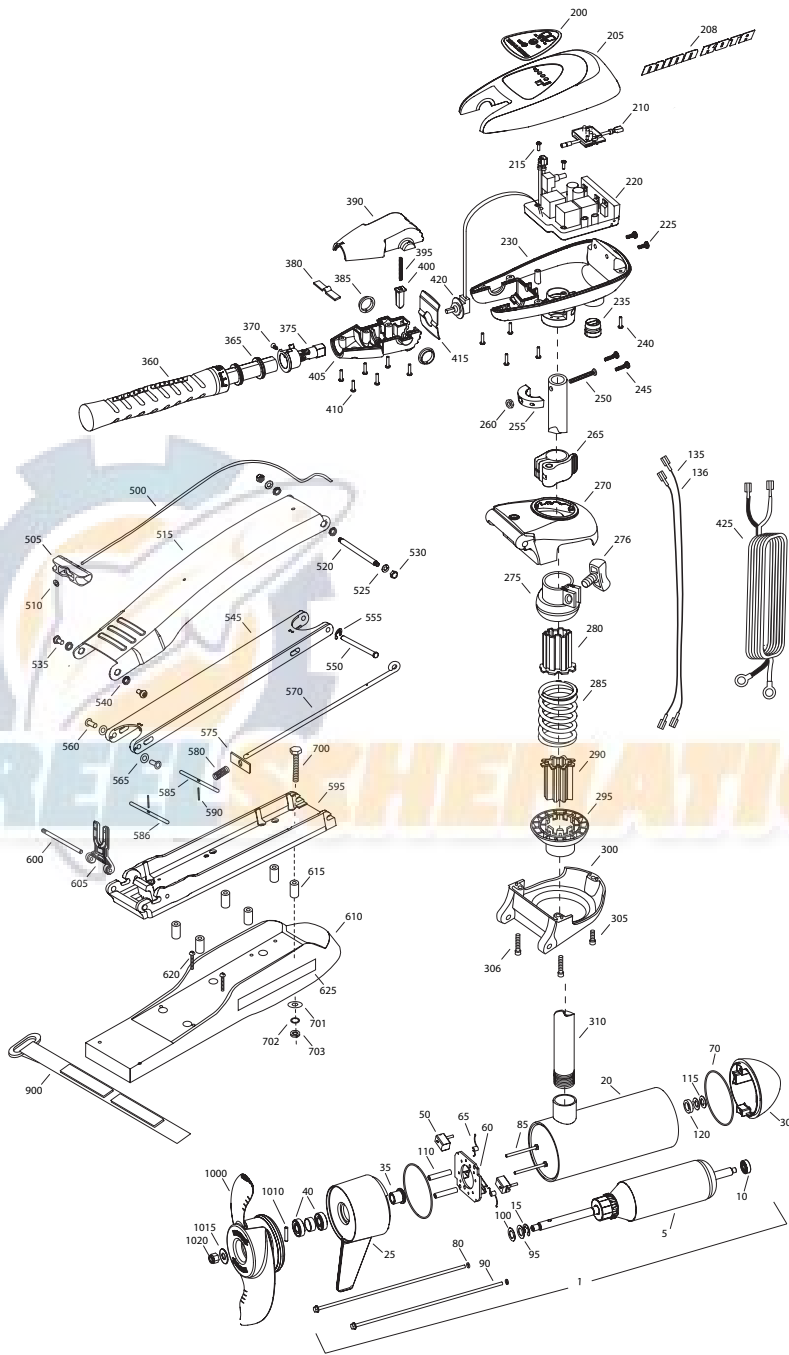


RT80/SM
80 LBS THRUST
24 VOLT 56 AMPS
52" SHAFT

for use with "P" serial numbers
2-year warranty



Item	P/N	Description	Qty	Item	P/N	Description	Qty	Item	P/N	Description	Qty	Item	P/N	Description	Qty
1	2316228	24V Motor 52" SW	1					900	2263804	Strap, hold down	1				
5	2-100-214	Armature assembly	1	■	2990957	Handle assy, VARS [360-410]	1					■	1378132	Propeller kit WW2	
10	140-010	Bearing	1	360	2900466	Grip/handle assy, VARS [360-375]	1					■	2994876	Propeller bag assy	
15	788-040	Retaining ring	1	365	2060015	Bearing, handle	2					1000	2331160	Propeller WW2	1
20	2-200-397	Center housing assembly	1	370	2063405	Screw, #6 PFH SS	1					1010	2262658	Drive pin, large	1
25	2-300-340	Brush end housing assembly	1	375	2884092	Yoke / spider assy, VARS	1					1015	2091701	Washer, prop, large	1
30	421-376	Plain end housing assembly STD	1	380	2302742	Spring, defent, off	1					1020	2198401	Nut, nylock, prop, Anode	1
35	144-017	Flange bearing	1	385	2060005	Bearing, handle pivot	2								
40	880-025	Seal	2	390	2060900	Handle pivot, top	1								
50	188-094	Brush	2	395	2302745	Spring, release button	1								
60	9-738-004	Brush plate assembly	1	400	2063700	Button, release	1								
65	975-041	Brush spring	2	405	2060905	Handle pivot, bottom	1								
70	701-043	O-ring, motor	2	410	2303412	Screw, #6 x 5/8 SS	6								
80	701-009	O-ring, thru-bolt	2												
85	830-027	Screw, 10-32 x 2	2	415	2062715	Spring, handle pivot	1								
90	830-094	Thru-bolt	2	420	2061700	Washer, pot holder	1								
95	990-051	Washer, steel	2	425	2992521	Leadwire assy	1								
100	990-052	Washer, nylontron	2												
110	973-025	Spacer, brush plate	2	■	2991845	Mount, Bow Assy bow guard [500-625]	1								
115	992-010	Washer, Belleville	2												
120	990-045	Spacer, thrust	1	500	2251601	Rope	1								
135	640-018	Leadwire, black	1	505	2150400	Pull grip	1								
136	640-123	Leadwire, red	1	510	2151700	Washer	1								
■	2889460	Seal and O-ring Kit		515	2264244	Arm, upper, std, sw	1								
				520	2262604	Pin, bowguard, upper	1								
200	2195659	Decal, c-box cover	1	525	2261722	Washer, 5/16", ss	2								
205	2060296	C-box cover	1	530	2223100	Nut, 5/16-18 SS	2								
208	2325666	Decal - MinnKota	2	535	2263500	Bolt, shoulder	2								
210	2074081	Battery meter, 24v SW	1	540	2293501	Bushing, SS	2								
215	3043427	Screw, #8 x 7/8 SS	2	545	2994351	Arm, Lower, std, sw	1								
220	2184017	Control board, 24/36V	1	550	2262622	Pin, clevis ss	1								
■	2888411	Potentiometer Replacement Kit		555	2263011	E-clip, ss	1								
225	2303434	Screw, #8-30 x 5/8 SS	2	560	2267318	Bushing, nyloner	2								
230	2062503	Control box, VARS, SW	1	565	2261708	Washer, spacer, .010 thk	as reqd								
235	2062905	Strain relief	1	570	2153603	Eyeshaft, ss	1								
240	2303412	Screw, #6 x 5/8 SS	6	575	2262703	Spring stop	1								
245	2263434	Screw, #8 x 1 SS	2	580	2152701	Spring, lock bar, ss	1								
250	2383406	Screw, #10-24 x 2 SS	1	585	2233621	Lock bar, front, ss	1								
255	2061517	Collar, c-box	1	586	2233623	Lock bar, back, ss	1								
260	2383101	Nut, 10-24, nylock, SS	1	590	2152612	Spring pin, ss	2								
265	2991521	Cam lock/depth collar assy	1	595	2773983	Bowplate w/ insert, std, sw	1								
				600	2260505	Hinge pin, ss	1								
■	2991764	Bowguard Assembly SW [270-306]	1	605	2293811	Yoke, Max	1								
270	2991779	Bracket, top	1	610	2263917	Motor rest, std, sw	1								
275	2261525	Spring sleeve, Upper	1	615	2261505	Spacer, motor rest	6								
276	2011366	Knob, collar, ss	1	620	2263434	Screw, #8, SS	2								
280	2264702	Tube insert, bowmount	2	625	2065677	Decal, motor rest	2								
285	2262705	Spring, bowguard	1												
295	2261535	Spring sleeve, Lower	1	■	2994830	Bag assembly	1								
300	2991777	Bracket Assy, bottom	1	700	2263431	Screw, 1/4-20 x 3 1/2" PPH, SS	6								
305	2263422	Screw, 5/16 x 1" SHCS ss	1	701	2301720	Washer, rubber mounting	6								
306	2263424	Screw, 5/16 x 2.5" SHCS ss	2	702	2261713	Washer, 1/4 SS	6								
				703	2263101	Nut, 1/4-20 Nylock, SS	6								
310	2002014	Tube Composite 52"	1												

* This item is part of an assembly. This item cannot be sold separately due to machining and /or assembly that is required.

p/n 2194952 REV. H 33752 2-12

12-24-36 VOLT VARIABLE SPEED MODELS

THIS IS A UNIVERSAL MULTI-VOLTAGE DIAGRAM. DOUBLE CHECK YOUR MOTORS VOLTAGE FOR PROPER CONNECTIONS

Over-Current Protection Devices not shown in illustrations.
Riptide 80 is 24-volt only!

